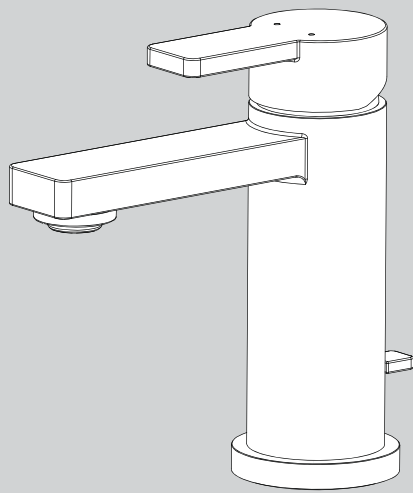


INSTRUCTIONS FOR MODELS

SB-2701



NEED HELP?

For additional assistance or service please contact:

SPEAKMAN®

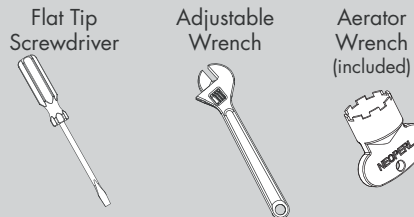
800-537-2107

customerservice@speakman.com

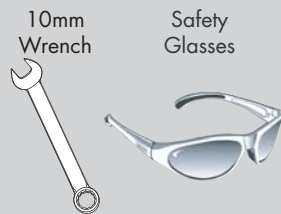
www.speakman.com

92-SB-2701-01

TOOLS AND SUPPLIES



HELPFUL TOOLS & SUPPLIES:



IMPORTANT

- Do not over-tighten any connections or damage may occur.
- Be sure to read instructions thoroughly before beginning installation.
- This faucet has an operating range of 20-80 psi.

SAFETY TIPS

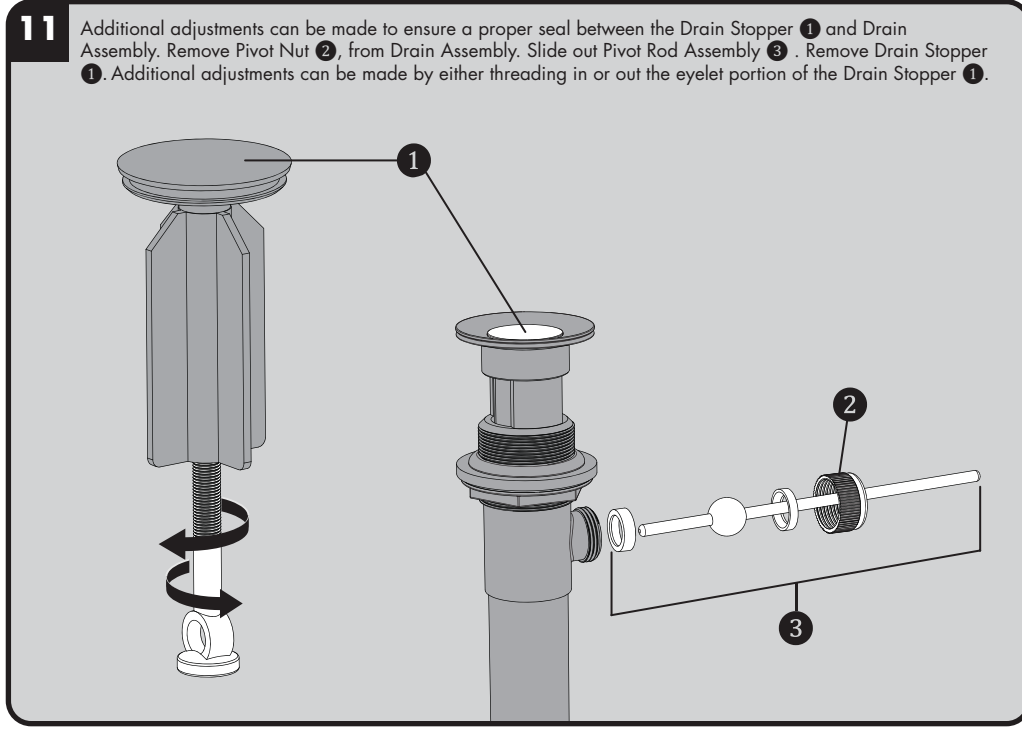
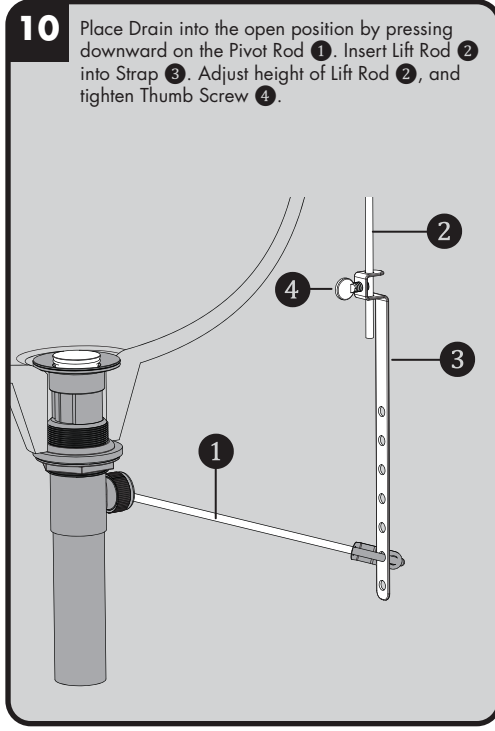
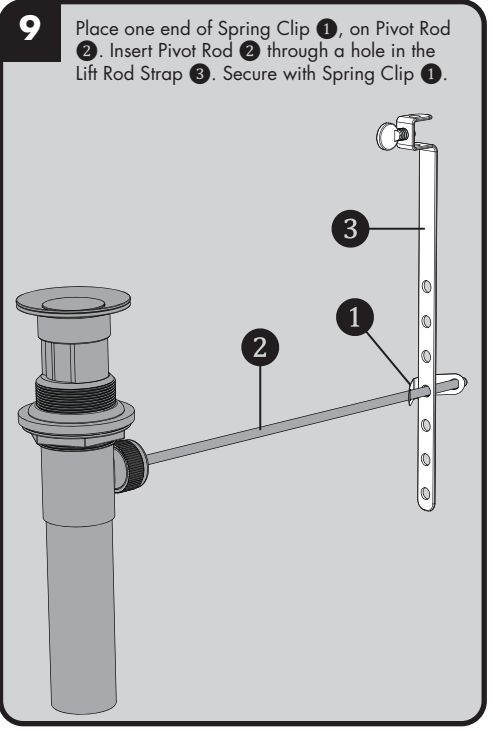
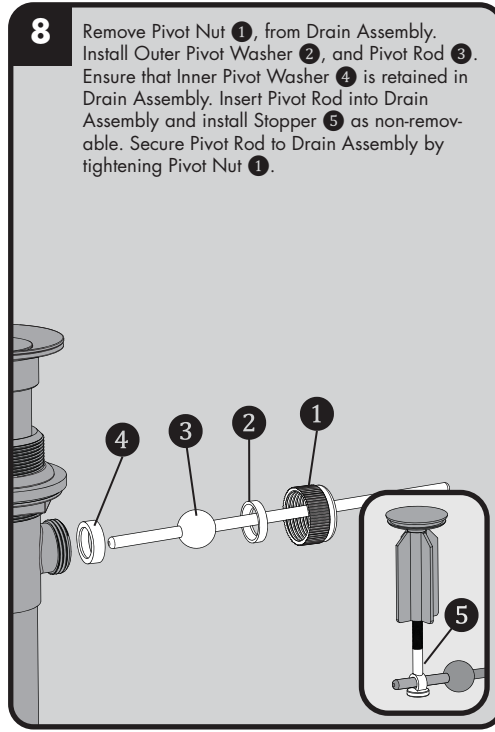
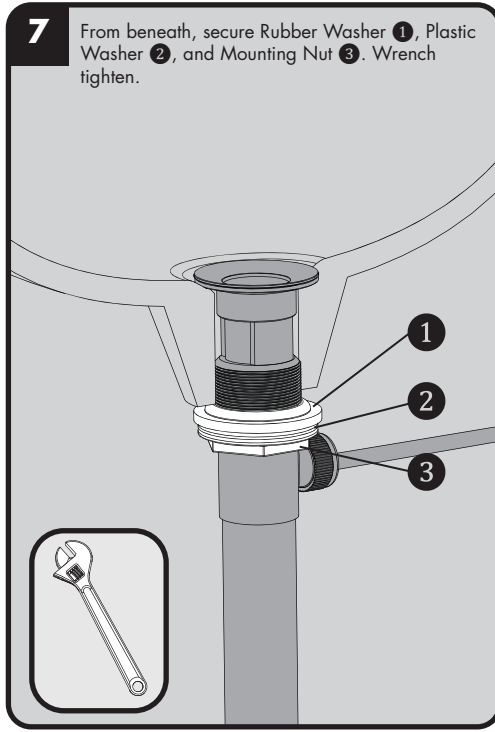
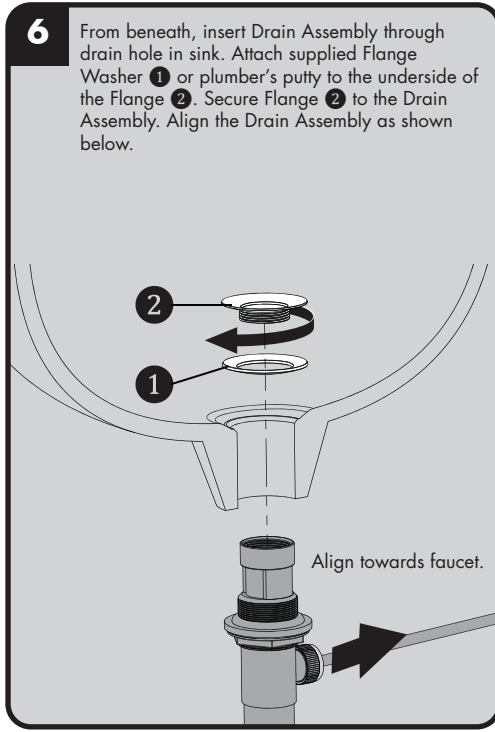
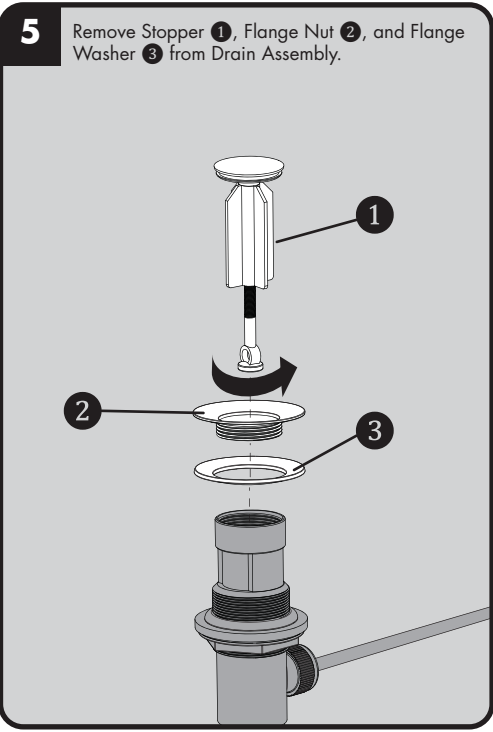
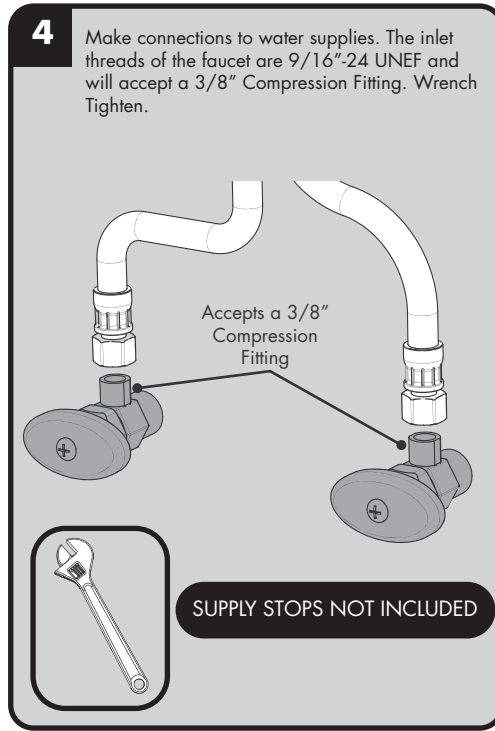
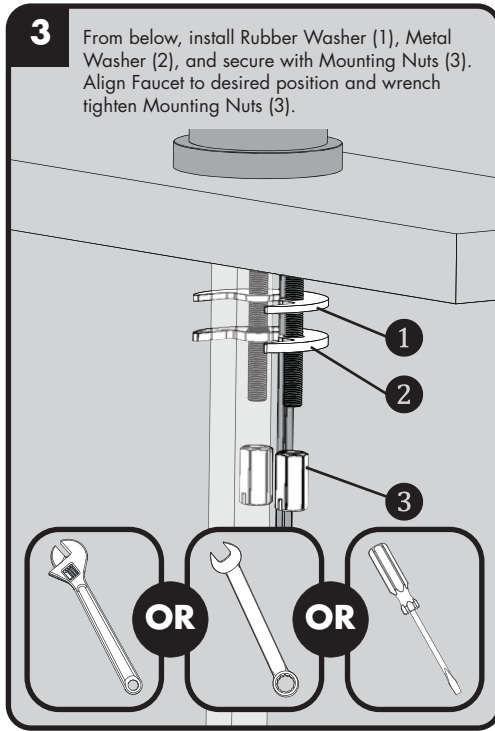
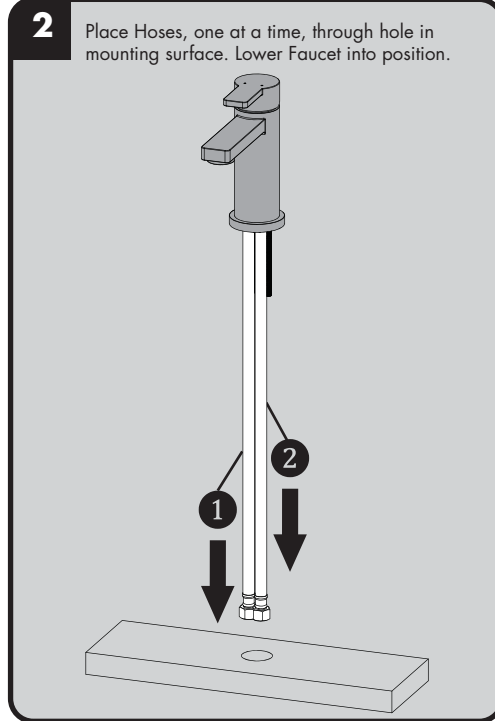
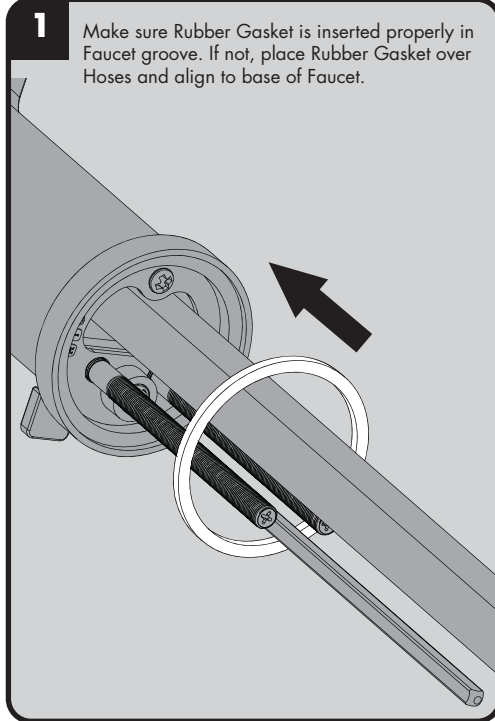
Cover your drain to prevent loss of parts. Be sure to wear eye protection while cutting pipe.

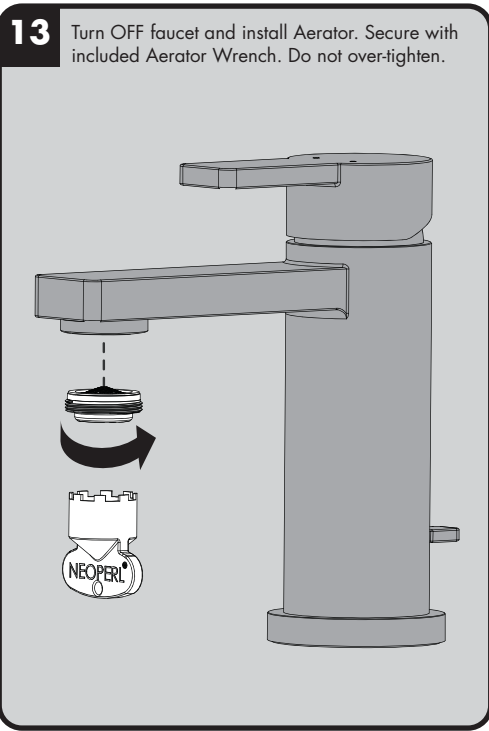
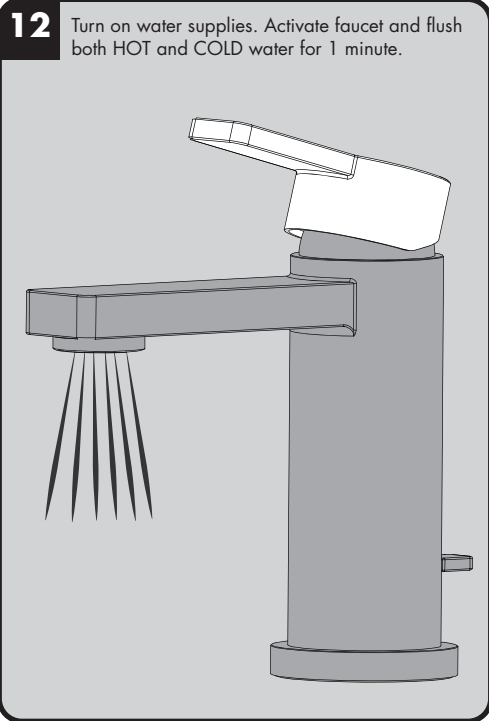
MAINTENANCE

Your new Speakman Product is designed for years of trouble-free performance. Keep it looking new by cleaning it periodically with a soft cloth. The use of harsh chemicals and abrasives may damage the finish and void the product warranty. Please be sure to only use approved cleaners. Please contact Speakman for any clarification of acceptable cleaners.

WARRANTY

Warranty information can be found at: www.speakman.com





SB-2701 REPAIR PARTS

SPEAKMAN®

ITEM NO.	PART NO.	DESCRIPTION
1	RPG05-1112	CARTRIDGE AND RETAINING NUT
2	RPG05-1113	1.2 GPM SLIM AERATOR WITH KEY
3	RPG05-106202	MOUNTING HARDWARE GROUP
4	RPG04-108001-XX (* XX = FINISH)	LEVER HANDLE, SET-SCREW, AND INDEX BUTTON
5	RPG63-0102	20" LONG HOSE (2 PCS) (OUTLET THREAD - 9/16" - 24 UNEF 2B THREAD)
6	RPG24-0134	DRAIN ASSEMBLY PLUS MOUNTING HARDWARE

SB-2701 ROUGH-IN DIAGRAM

SPEAKMAN®

ALL DIMENSIONS ARE IN INCHES (MILLIMETERS) UNLESS OTHERWISE SPECIFIED.
DIMENSIONS SUBJECT TO CHANGE WITHOUT NOTICE.